

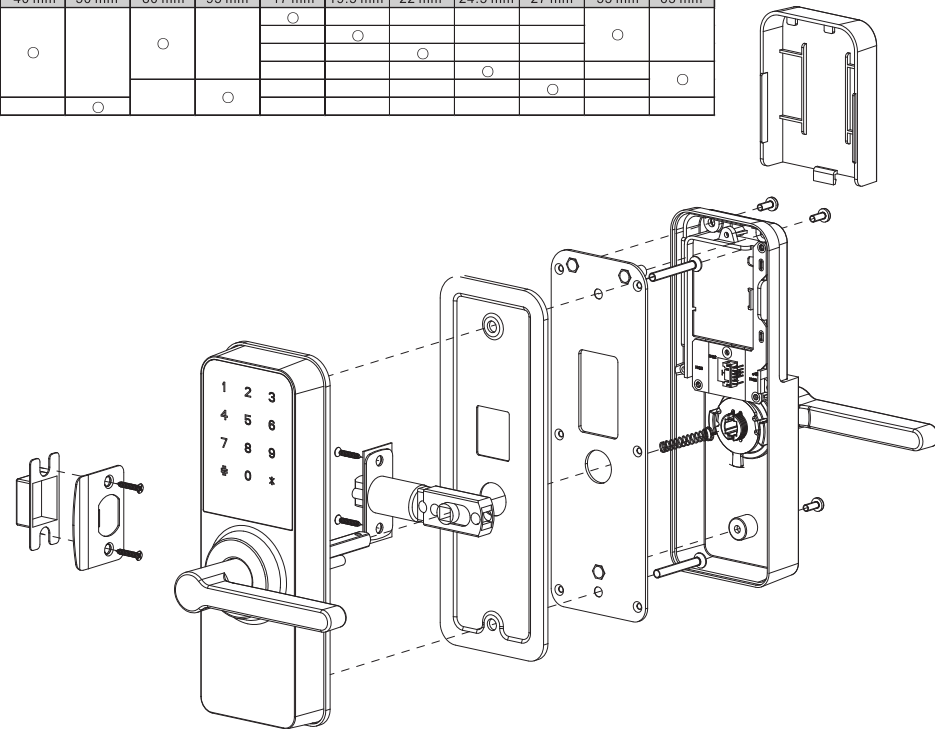
Smart Lock Installation V1.0.2

1.2.51.32.14464-000

I Installation Map

Note: Below drawing is Right Hand setup.

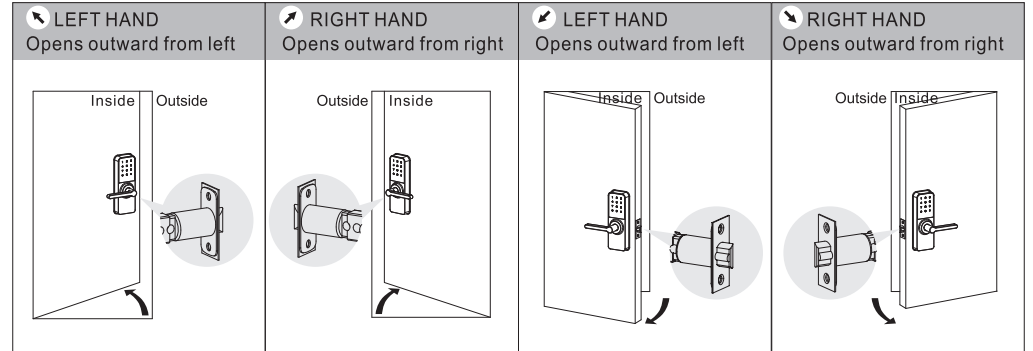
Component Selection Table											
Key Size (mm)	Screw (M5*40)		8.0 Spindle		7.6 Spindle						
	40 mm	50 mm	80 mm	95 mm	17 mm	19.5 mm	22 mm	24.5 mm	27 mm	53 mm	63 mm
35~40					○						
40~45	○		○								
45~50							○				
50~55								○			
55~60				○					○		
60~70		○								○	



II Component List

a External panel	b External silicone pad	c Internal panel	d Internal silicone pad	e Internal panel	f Latchbolt	g Allen key	h Spring
							i Screw (M5*40)
					j Screw (ST4*25)	k User manual	l Installation guide
					m Card	n Key	o Spindle

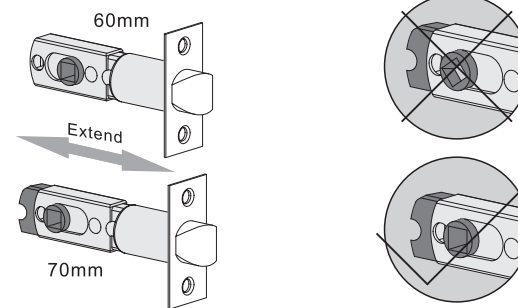
III Lock Handing Guide



IV Adjusting Latch Backset

Note: Previously, the door opens outward from right; now, it is changed to be opened inward from right.

Illustrations

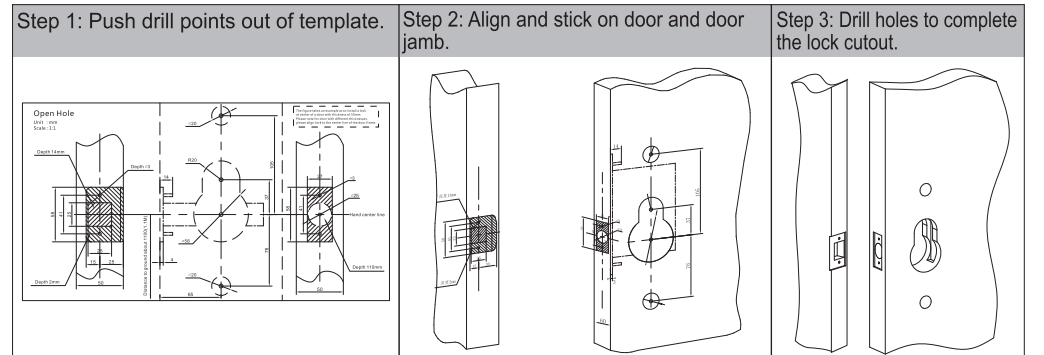


Procedure

Cylinder backset distance is 60mm or 70mm adjustable. Please follow the above instructions to extend cylinder and DO NOT rotate the hub.

V Door Preparation

Note: Door opens outward from right.



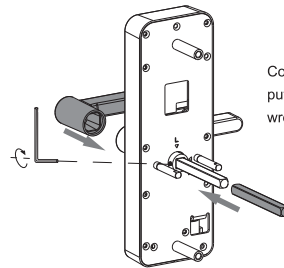
6 Installation of Lock

Note: Door opens outward from right.

Illustrations	Procedure	Completion Status
	<ol style="list-style-type: none"> 1. Fix latch inside door with screws (ST4*25) in the accessory bag. (Note: Confirm unlock function.) 2. Fix strike box and strike plate on door frame with screws (ST4*25) in the accessory bag. 	

7 Changing Handing of Lock

□ Handle changing for opposite handing



Confirm handle direction and door thickness, select a proper spindle, put the spindle into handle hole, tighten screws on the rotary block with wrench. Ensure that arrow on the rotary block aligns with L direction.

Procedure

1. Put the screwdriver into spindle hub, loosen screw in the spindle hub, remove handle from hub and replace in opposite direction.
2. Tighten screw inside spindle hub and set the arrow on hub to line up with the arrow on new handing letter.
3. Before installation, select spindle in accordance with door thickness.
4. Insert spindle into spindle hub, and use Allen Key to fix spindle at spindle hub.

8 Fitting external handle to door

Note: Door opens outward from right.

Illustrations	Procedure	Completion Status
	<ol style="list-style-type: none"> 1. Press silicone pad onto the external panel and line up spindle with hub on the latch. Insert 20 pin plug through the door cutout. 2. Press silicone pad onto internal panel and push the 20 pin plug through large square hole in panel. 3. Fix internal panel to external panel using pull screws provided in the two holes at top and bottom of plate. 	

9 Fitting internal handle to door

Note: Door opens outward from right.

Illustrations	Procedure	Completion Status
	<ol style="list-style-type: none"> 1. Insert 20 pin plug into connector under battery holder. 2. Insert spindle through the latch hub and into outside handle. 3. Place provided spring inside the spindle hub ensuring the larger end goes inside the hub. 4. Place internal handle assembly on top of the panel taking care to locate the spindle into the handle hub. Make sure the cable is not pinched. 5. Install and tighten the 3 supplied screws for the internal handle assembly. 	

□ Check List

※ After installation, check against the following list while the door is open.

- Ensure the batteries are AA 1.5v Alkaline and direction matches indicators on the battery holder.
- You should receive a voice prompt after the batteries are installed and ensure all button indicators light up.
- Check that latch retracts smoothly when depressing the lever and that it springs back fully when handle is released.
- Check that the key override cylinder works at the bottom of the external handle. Insert the key and rotate 90 degrees, then check that the handle is able to be depressed.
- All screws are fastened.
- Power on to enable the touch panel (put your palm/hand back onto touch panel). After the button turns on, enter initial password (123456#). When you hear a prompted voice, press external panel handle down to retract security bolt and latch bolt.
- Stand on the inside of the room and close the door to check smooth operation of lock. Ensure the door cannot be pushed open after it is closed.